

# Speed Queen® Multi-Housing

## Electronic Commercial Front Load Washer

Front Control



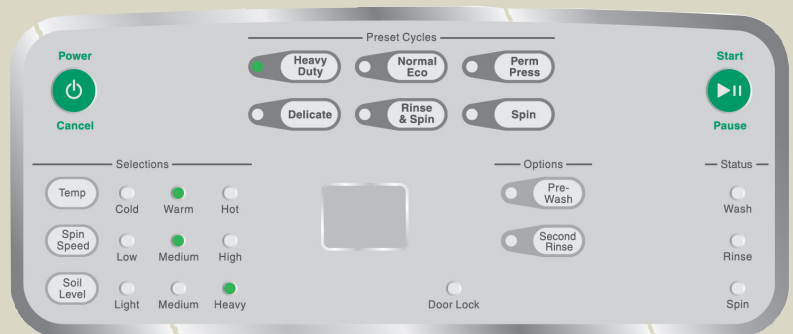
ENERGY STAR® Certified

### BUILT FOR RELIABLE PERFORMANCE


- Suspension with out-of-balance logic
- Industry leading 1200 spin speed exerts 440 g-force extraction
- U.S. DOE compliance for energy and water efficiencies
- ADA compliant
- Commercial-grade stainless steel washtub
- Extra-wide 15.5" door opening and 180° door swing
- Four compartment supply dispenser

### ELECTRONIC CONTROL

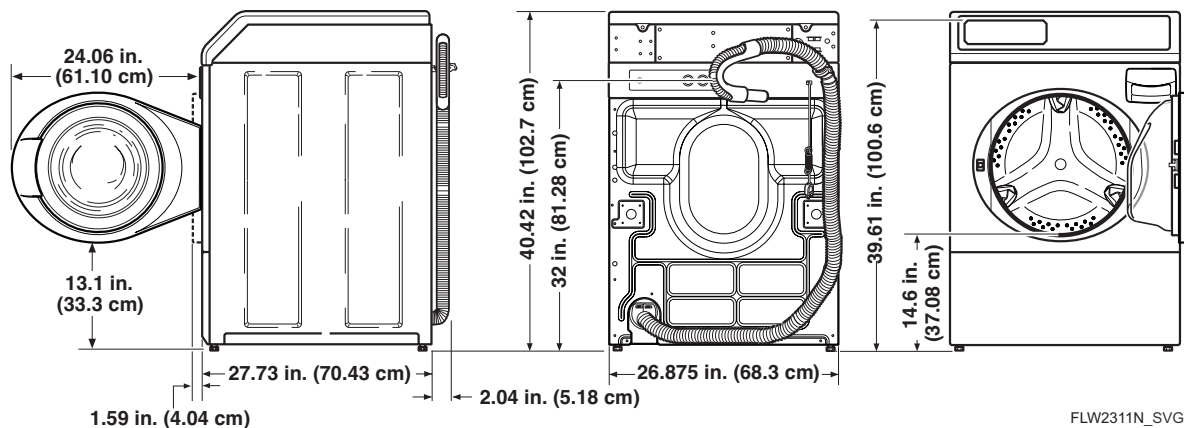
- Cycle indicator lights
- Three wash temperatures  
Hot, warm, cold
- Three soil levels  
Light, medium, heavy
- Digital display



# ELECTRONIC COMMERCIAL FRONT LOAD WASHER SPECIFICATIONS

MODELS	LFNE5BSP113TW01	LFNE5BJP113TW01
		
<b>Appearance</b>		
Color	White	White
Control Panel Selection	Front	Front
<b>Water and Energy Info</b>		
Modified Energy Factor "MEF" ft <sup>3</sup> /kWh/cycle (Liters/kWh/cycle)	2.38 (82.29)	2.38 (82.29)
Water Factor "WF" - gal/ft <sup>3</sup> (Liters/Liter/cycle)	3.7 (0.50)	3.7 (0.50)
Water Consumption - gal (Liter)	11.7 (44.3)	11.7 (44.3)
<b>Technical Info</b>		
Stainless Steel Cylinder Volume - cu. ft. (liters)	3.42 (96.8)	3.42 (96.8)
Weight - lb (kg)	250 (113)	250 (113)
Shipping Weight - lb (kg)	270 (122)	270 (122)
Electrical Requirements	120/60/1-15 amp	120/60/1-15 amp
Overall Dimensions WxDxH - in (mm): 26 7/8 (683) x 27 3/4 (704) x 40 7/16 (1027)		
Cycle - Heavy Duty, Normal Eco, Perm Press, Delicate, Rinse and Spin, Spin Only		
Temperature - Hot, Warm, Cold	Yes	Yes
Motor	0.9 HP 671 W	0.9 HP 671 W
Water Pressure PSI (Bar) - 20-120	1.4-8.3	(1.4-8.3)
Supply Injection	--	Yes
Spin Speeds - RPM	1200	1200
<b>Performance/Features</b>		
Safe Door Lock Release at Cycle Completion	Yes	Yes
Agency Approval	cULus	cULus

For the most accurate information, the installation guide should be used for all design and construction purposes. Due to continuous product improvements, design and specifications subject to change without notice. The quality management system of Alliance Laundry Systems' Ripon facility has been registered to ISO9001:2008.



FLW2311N\_SVG