

Speed Queen® Multi-Housing

Electronic Commercial Stack Dryer

Front Control

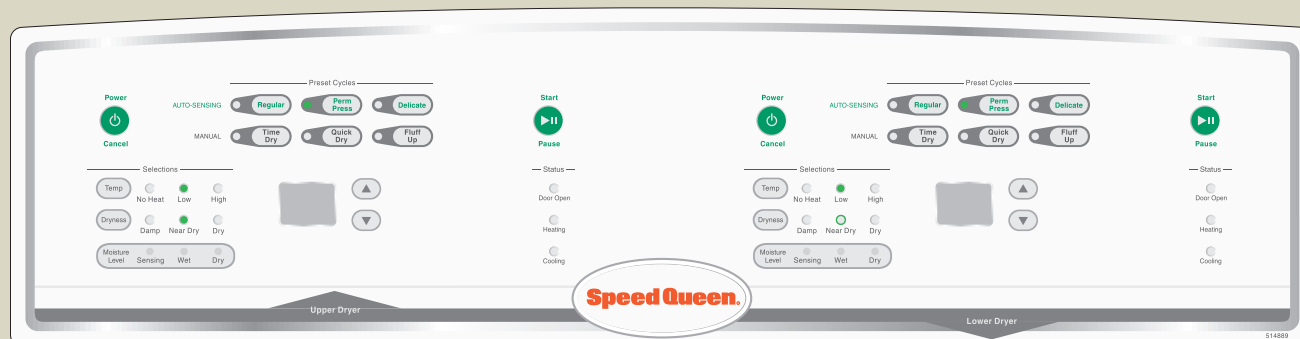


BUILT FOR RELIABLE PERFORMANCE


- Industry's largest door opening 2.06 sq. ft. (1914 cm²)
- Quiet, efficient blower system
- ADA compliant (bottom dryer only)
- High efficiency exhaust blower with superior airflow 220 cfm (105 liters/sec)
- 100% serviceable from the front
- Space-saving narrow cabinet 26-7/8" (683 mm)
- Upfront lint filter easy to clean and secured
- Durable galvanized steel cylinder

ELECTRONIC CONTROL

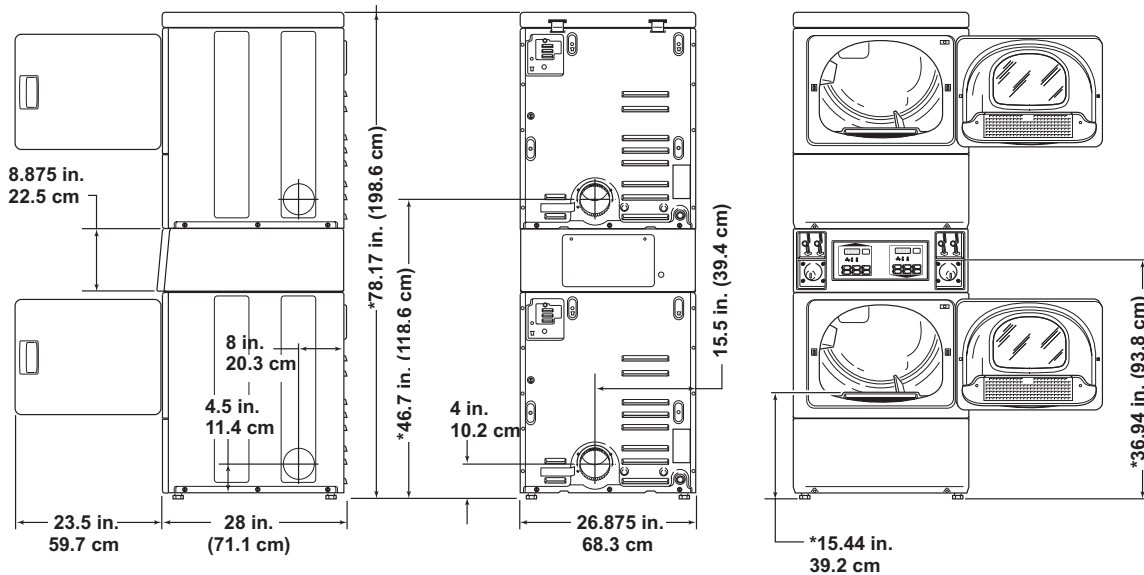
- Uses less energy
- Touch pad selection combines temperature and cycle



ELECTRONIC COMMERCIAL **STACK DRYER** SPECIFICATIONS

MODEL	Elec 208 Elec 240 Gas	LSEE5AGS153TW01 LSEE5AGS173TW01 LSGE5AGS113TW01
		
Appearance		
Color	White	
Control Panel Selection	Front	
Technical Info		
Galvanized Cylinder Volume - cu. ft. (liters)	7.0 (198) (ea)	
Cycle Temperature - Regular, Perm Press, Delicate, Time Dry, Quick Dry, Fluff Up		
Motor - HP	1/3 HP	
Weight - lb (kg)	Elec	2.38 (82.29)
	Gas	240 (109)
Shipping Weight - lb (kg)	Elec	255 (115)
	Gas	265 (120)
Electrical Requirements	Elec	120/208/60/1 120/240/60/1*
	Gas	120/60/1
Overall Dimensions WxDxH - in (mm): 26 7/8 (683) x 28 (711) x 78 3/16 (1986)		
Type Of Gas (Gas Models Only) Factory-Equipped Natural/Mixed Gas**		
Air Outlet Diameter - in (mm)	4 (102)	
Efficient Dryer Heating	Elec	4750W, 208V 5350W, 240V
	Gas	25,000 Btu
Performance/Features		
Agency Approval	Elec	cULus
	Gas	cCSAus

For the most accurate information, the installation guide should be used for all design and construction purposes. Due to continuous product improvements, design and specifications subject to change without notice. The quality management system of Alliance Laundry Systems' Ripon facility has been registered to ISO9001:2008.



* With leveling legs turned into base.
NOTE: Exhaust openings are 10.2 cm (4 inch) metal ducting.

DRY2536N

